



**OFFICE OF STATEWIDE HEALTH PLANNING AND DEVELOPMENT
FACILITIES DEVELOPMENT DIVISION**

**APPLICATION FOR OSHPD PREAPPROVAL OF
MANUFACTURER'S CERTIFICATION (OPM)**

OFFICE USE ONLY

APPLICATION #: OPM-0198

OSHPD Preapproval of Manufacturer's Certification (OPM)

Type: New Renewal/Update

Manufacturer Information

Manufacturer: Steris

Manufacturer's Technical Representative: Lloyd Dupuis

Mailing Address: 490 boul. Armand-Paris, Quebec, QC G1C8A3

Telephone: (418) 664-1549

Email: Lloyd_Dupuis@steris.com

Product Information

Product Name: VISION AND RELIANCE WASHERS/DISINFECTORS

Product Type: Washer/Disinfector

Product Model Number: Vision 1321, Vision 1327, Vision 1330L, Reliance 1227

General Description: Vision and Reliance Cart and Utensil Washers/Disinfectors are washers designed to clean and disinfect specific medical utensils, surgical instruments and other articles found in healthcare facilities. Productivity is improved through faster cleaning cycles, touch screen, PC controls and flow meters for verification of injection rates.

Applicant Information

Applicant Company Name: ISAT SEISMIC BRACING

Contact Person: WILLIAM JOERGER

Mailing Address: 14848 Northam Street, La Mirada, CA 90638

Telephone: (714) 920-6066

Email: wvjoerger@isatsb.com

Title: _____

Access to Safe, Quality Healthcare Environments that Meet California's Diverse and Dynamic Needs

STATE OF CALIFORNIA—HEALTH AND HUMAN SERVICES AGENCY





**OFFICE OF STATEWIDE HEALTH PLANNING AND DEVELOPMENT
FACILITIES DEVELOPMENT DIVISION**

Registered Design Professional Preparing Engineering Recommendations

Company Name: ISAT SEISMIC BRACING
Name: WILLIAM JOERGER California License Number: S4545
Mailing Address: 14848 Northam Street, La Mirada, CA 90638
Telephone: (714) 920-6066 Email: wvjoerger@isatsb.com

OSHPD Special Seismic Certification Preapproval (OSP)

Special Seismic Certification is preapproved under OSP OSP Number: _____

Certification Method

Testing in accordance with: ICC-ES AC156 FM 1950-16
 Other(s) (Please Specify): _____

*Use of criteria other than those adopted by the California Building Standards Code, 2019 (CBSC 2019) for component supports and attachments are not permitted. For distribution system, interior partition wall, and suspended ceiling seismic bracings, test criteria other than those adopted in the CBSC 2019 may be used when approved by OSHPD prior to testing.

- Analysis
- Experience Data
- Combination of Testing, Analysis, and/or Experience Data (Please Specify): _____

OSHPD Approval

Date: 5/29/2020
Name: Jeffrey Kikumoto Title: Senior Structural Engineer
Condition of Approval (if applicable): _____





INTERNATIONAL SEISMIC APPLICATION TECHNOLOGY

A Division of Tomarco Contractor Specialties

Submittal Documents

OPM-0198

OSHPD OPM-0198

INSTALLATION DRAWINGS VISION 1321, VISION 1327, VISION 1330L AND RELIANCE 1227 WASHERS/DISINFECTOR

STERIS

ISAT
1020 Crews Road Suite Q
Matthews, N.C. 28105
704-841-4080



WVJ 29 May 20

FILE NO.: CLT-0315-040

“Empowered by Experience”

CBC 2019 REV 1

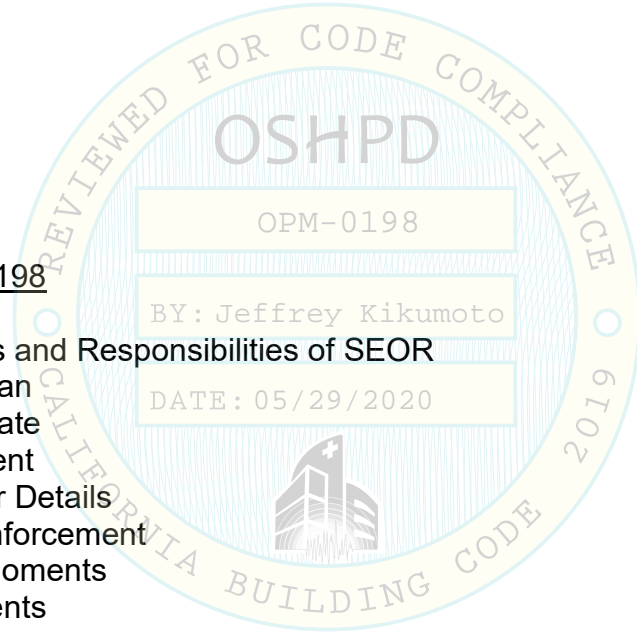


OSHPD OPM-0198

DRAWING INDEX

DRAWING INDEX

Cover Page	p i
Index Page	p ii
<u>Drawings for OPM-0198</u>	
General Notes and Responsibilities of SEOR	p 1
Foundation Plan	p 2
Foundation Plate	p 3
Post Attachment	p 4
Elevated Floor Details	p 5
Concrete Reinforcement	p 6
Overturning Moments	p 7
Torsion Moments	p 8
Attachment Forces	p 9



OSHPD OPM-0198

MANUFACTURE: STERIS

EQUIPMENT TYPE: WASHERS/DISINFECTORS

GENERAL NOTES FOR ATTACHMENT:

1. THIS OSHPD PREAPPROVAL OF MANUFACTURER'S CERTIFICATION (OPM) IS BASED ON THE CBC 2019. THE DEMAND (DESIGN FORCES) FOR USE WITH THIS OPM SHALL BE BASED ON THE CBC 2019.
2. SEISMIC CRITERIA USED: $S_{DS} = 2.5$ $I_p = 1.5$ $a_p = 1.0$ $R_p = 2.5$ (WET SIDE COMPONENT) for $z/h = 0$ $F_{pH} = 1.13 W_p$ and for $z/h \leq 1.0$ (ELEVATED SLABS) $F_{pHorz} = 1.80 W_p$ (SEE PAGE "CONC REINF" FOR SUPPLEMENTAL CONCRETE REINFORCING STEEL). WHERE z/h IS $0.5 F_{pH} = 1.20$ (SUPPLEMENTAL CONCRETE REINFORCING STEEL IS NOT REQUIRED). $F_{pVertical} = 0.50 W_p$.
3. SUPPORT AND ATTACHMENT FORCES ARE DETERMINED USING ASCE 7-16 CHAPTER 13 "SEISMIC DESIGN REQUIREMENTS FOR NONSTRUCTURAL COMPONENTS". AN OVERSTRENGTH FACTOR $\Omega_0 = 2.0$ IS USED FOR CONCRETE MATERIALS AND $\Omega_0 = 1.0$ FOR STEEL MATERIALS PER ASCE 7-16 TABLE 13.6-1. LOADS SHOWN ARE STRENGTH DESIGN LOADS PER CBC 2019 SECTION 1909A.
4. THIS PREAPPROVAL COVERS ONLY THE SUPPORTS AND ATTACHMENTS OF THE EQUIPMENT TO THE STRUCTURE.
5. THIS PREAPPROVAL IS FOR CONCRETE SLAB AT GRADE OR ELEVATED SLABS FOR THE DEMAND LOADS SHOWN WHERE $S_{DS} \leq 2.5$.
6. MATERIALS: PLATE ASTM A36, WIDE FLANGED BEAM ASTM A992 $F_y = 50$ KSI, WELDED STUDS ASTM A36, BOLTS ASTM A307 WITH ASTM F436 CIRCULAR WASHERS, WELDING FILLER MATERIAL E70XX FOR CARBON STEEL WELDING, SHIM PLATE BY STERIS AISI 304 STAINLESS STEEL, CONCRETE REINFORCING BARS ASTM A615 GRADE 60 $F_y = 60$ KSI.
7. CONCRETE SLABS. FOR THROUGH BOLTS - SOLID CONCRETE SLAB 6" NORMAL WEIGHT CONCRETE WITH 3000 PSI STRENGTH. METAL DECK - 3" DEEP COMPOSITE DECK, 20 GA MINIMUM, 4.5 INCH MINIMUM BOTTOM FLUTE WIDTH AND 12" FLUTE SPACING AND 3.25" MINIMUM LIGHT WEIGHT CONCRETE COVER WITH 3000 PSI MINIMUM STRENGTH. FOR EMBEDDED PLATES - 10" MINIMUM THICKNESS NORMAL WEIGHT CONCRETE WITH 4000 PSI MINIMUM STRENGTH.
8. EXERCISE DUE CARE WHEN DRILLING POST-INSTALLED ANCHORS TO AVOID DAMAGING CONCRETE REINFORCING OR TENDONS.

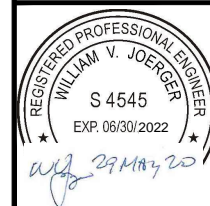
RESPONSIBILITIES OF THE STRUCTURAL ENGINEER OF RECORD

1. CONFIRM THE MATERIAL PROPERTIES OF THE CONCRETE SLAB TO WHICH THE EQUIPMENT IS ATTACHED MEETS THE REQUIREMENTS OF THIS OPM.
2. PROVIDE A PLAN FOR INSPECTION OF SUPPORTS AND ATTACHMENTS AND VERIFY ITS IMPLEMENTATION.
3. CONFIRM THE SPECIFIED MINIMUM CONCRETE EDGE DISTANCES ARE MAINTAINED BASED ON THE ACTUAL EQUIPMENT LOCATION. DETAIL CONCRETE PIT DIMENSIONS TO PROVIDE ADEQUATE COVER FOR THE FOUNDATION ANCHOR RODS.
4. VERIFY THAT THE STRUCTURE IS ADEQUATE FOR THE IMPOSED DEAD, LATERAL AND TENSION FORCES SHOWN IN ADDITION TO ALL OTHER LOADS.
5. VERIFY THAT THE INSTALLATION IS IN CONFORMANCE WITH CBC 2019 AND WITH THE OPM-0198 DETAILS INCLUDING MATERIALS AND DIMENSIONS OF THE SUPPORT WHERE THE ATTACHMENTS ARE MADE AGREE WITH THE INFORMATION SHOWN.
6. VERIFY THAT THE PROJECT SPECIFIC S_{DS} AND z/h VALUES RESULT IN SEISMIC FORCES (E_h AND E_v) DO NOT EXCEED THE VALUES

OPM-0198 STERIS VISION AND RELIANCE WASHERS/DISINFECTORS GENERAL NOTES

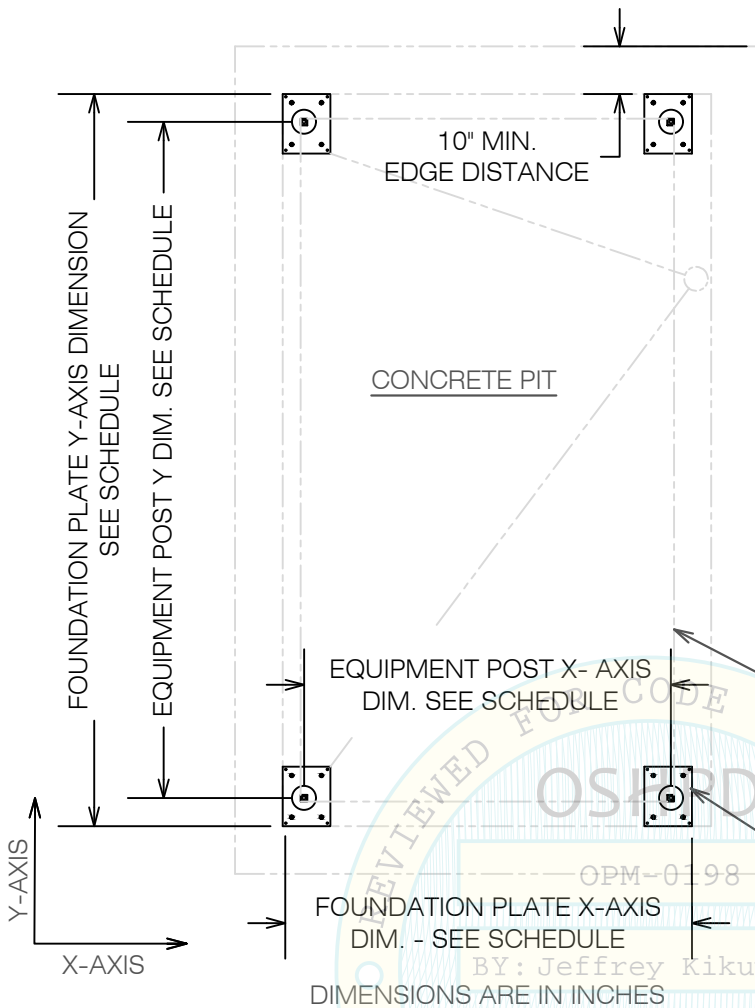


A Division of Tomarco Contractor Specialties
International Seismic Application Technology
1020 Crews Road, Suite Q, Matthews, NC 28105
704-841-4080 www.isatsb.com



DRAWN BY: WVJ
DATE: 03/06/15
REVISED BY: WVJ
DATE: 05/29/20
REV NO: 5

SCALE **PAGE**
N.T.S. GEN NOTES



NOTES:

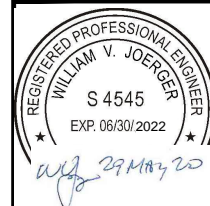
1. FOR INSTALLATIONS WITH A PIT THE PLATE ELEVATION IS TO BE 7" BELOW THE FINISHED SLAB ELEVATION.
2. FOR INSTALLATIONS WITHOUT A PIT, SET THE TOP OF THE FOUNDATION PLATE FLUSH WITH THE TOP OF THE SLAB.
3. FOUNDATION PLATE IS TO BE SET LEVEL AND TRUE WITHIN 1/32" PER FOOT.
4. FOR MODEL VISION 1321 THE EDGE DISTANCE TO THE CENTER DRAIN IS ALLOWED TO BE 5 INCHES. SEE PAGE "CONC REINF" FOR ADDITIONAL CONCRETE REINFORCEMENT DETAILS.

MODEL	POST X-AXIS DIM	POST Y-AXIS DIM	PLATE X-AXIS DIM	PLATE Y-AXIS DIM	VERTICAL CG	WEIGHT - LBS
VISION 1321	61.625 (61 5/8)	84.562 (84 9/16)	68.75 (68 3/4)	94	51.25	6371
VISION 1327	61.625 (61 5/8)	108.562 (108 9/16)	68.75 (68 3/4)	118	50.65	6666
VISION 1330L	61.625 (61 5/8)	120.562 (120 9/16)	68.75 (68 3/4)	130	50.45	6810
RELIANCE 1227	55.625 (55 5/8)	108.562 (108 9/16)	60.75 (60 3/4)	118	49.15	5360

OPM-0198 STERIS VISION AND RELIANCE WASHERS/DISINFECTORS FOUNDATION PLAN



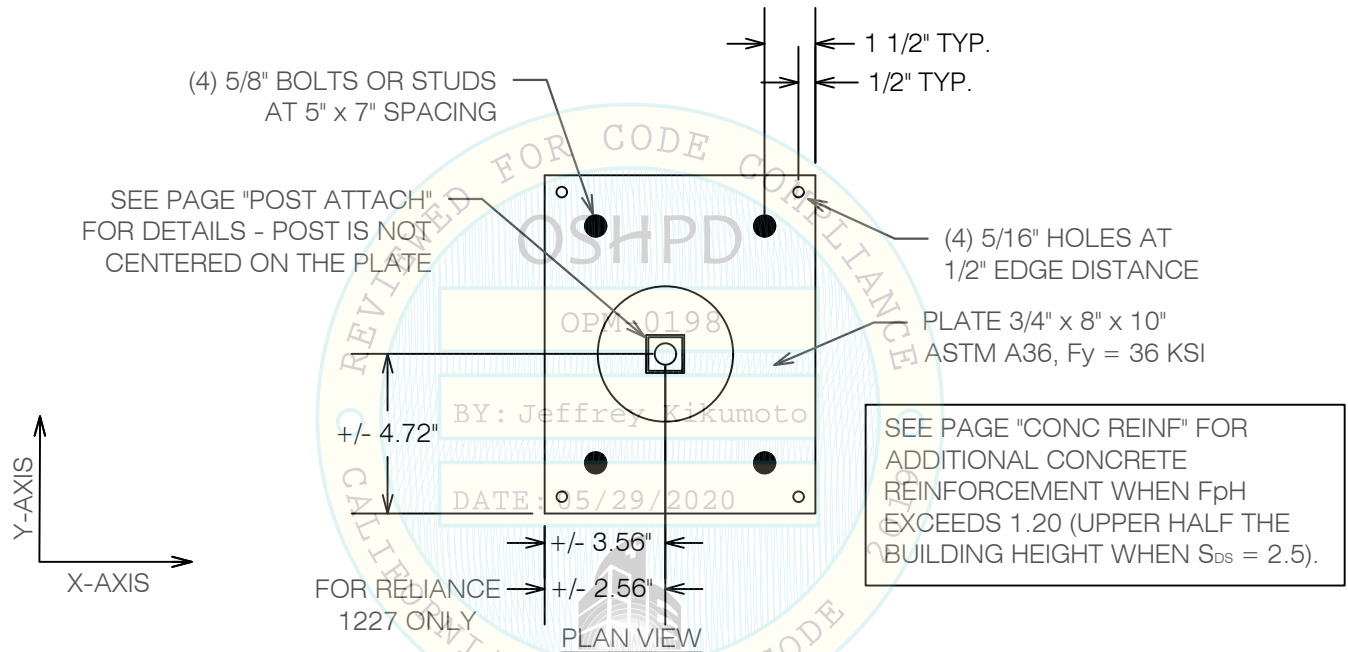
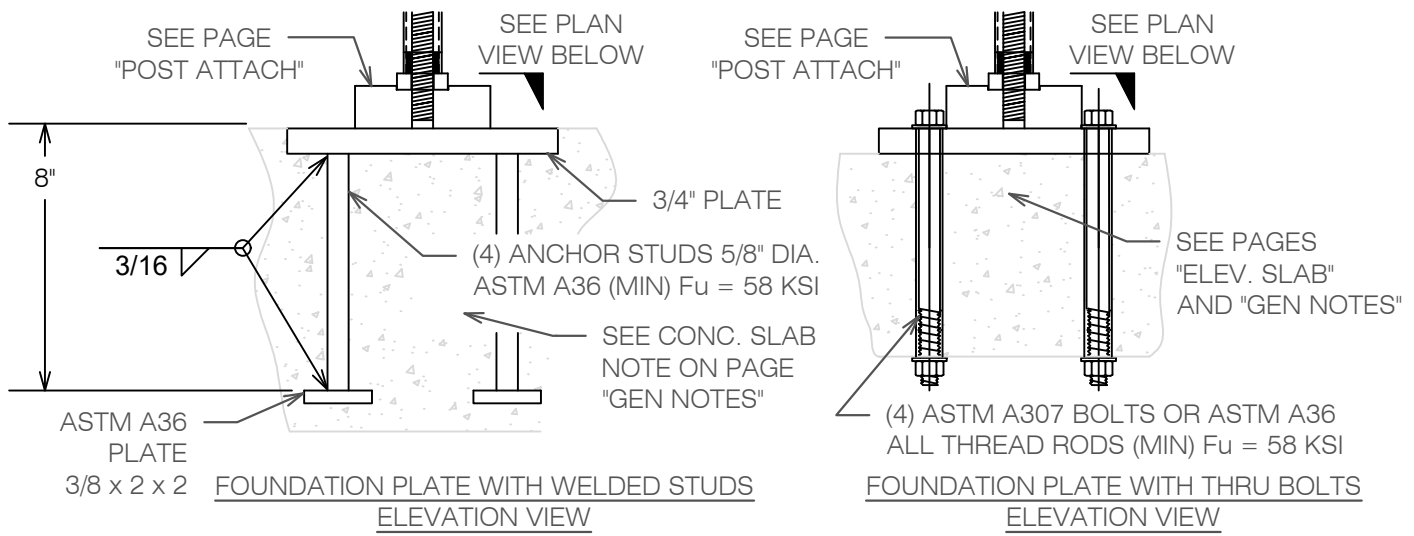
**A Division of Tomarco Contractor Specialties
International Seismic Application Technology**
1020 Crews Road, Suite Q, Matthews, NC 28105
704-841-4080 www.isatsb.com



DRAWN BY: WVJ
DATE: 03/06/15

REVISED BY: WVJ
DATE: 05/29/20
REV NO: 4

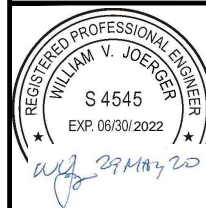
SCALE N.T.S. **PAGE** FDN PLAN



**OPM-0198 STERIS VISION AND RELIANCE WASHERS/DISINFECTORS
FOUNDATION PLATE DETAILS (SUPPLIED BY FIELD)**



**A Division of Tomarco Contractor Specialties
International Seismic Application Technology**
1020 Crews Road, Suite Q, Matthews, NC 28105
704-841-4080 www.isatsb.com

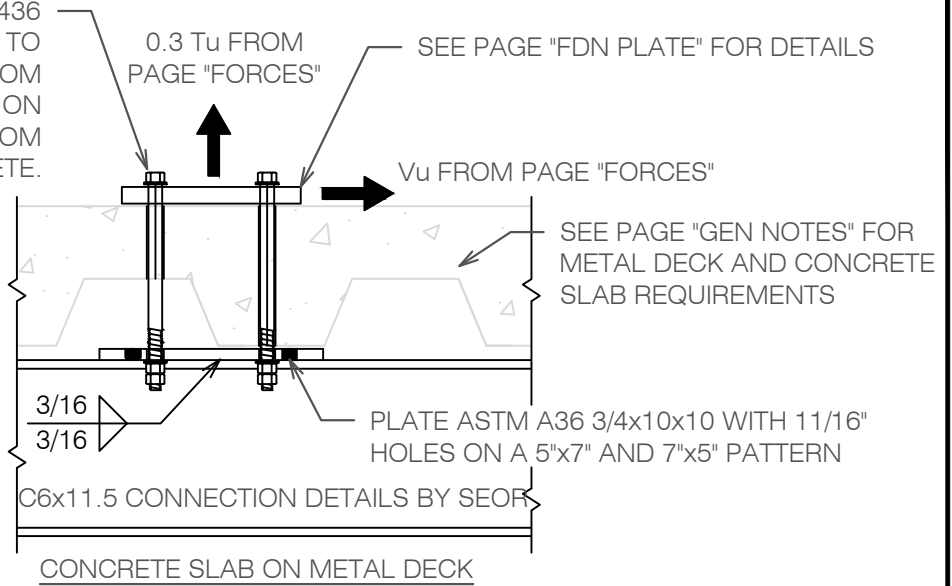


DRAWN BY: WVJ
DATE: 03/06/15
REVISED BY: WVJ
DATE: 05/29/20
REV NO: 4

SCALE: N.T.S. **PAGE:** FDN PLATE

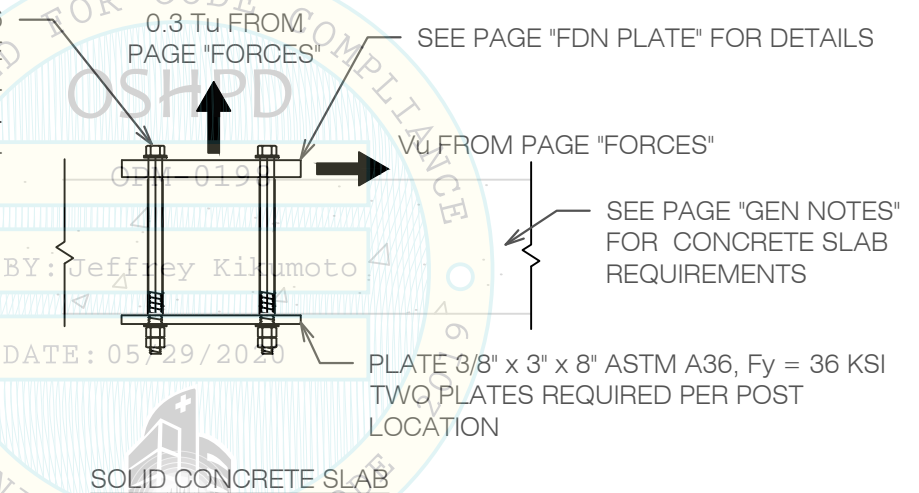
(4) 5/8" ASTM A307 BOLTS, F436 WASHERS AND A563 NUTS. TORQUE TO 3/4 TURN PAST SNUG TIGHT. BOTTOM WASHER TO BE CLIPPED TO 15/16" ON ONE SIDE. DOUBLE NUTS AT BOTTOM PLATE. DRILL 3/4" HOLE IN CONCRETE.

STRUCTURAL ENGINEER OF RECORD IS TO VERIFY THE ADEQUACY OF THE W8 BEAM AND BEAM CONNECTION TO STRUCTURE FOR THE IMPOSED LOADS.



(4) 5/8" ASTM A307 BOLTS, F436 WASHERS AND A563 NUTS. TORQUE TO 3/4 TURN PAST SNUG TIGHT. DOUBLE NUTS AT BOTTOM PLATE. DRILL 3/4" HOLE IN CONCRETE.

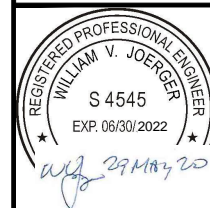
STRUCTURAL ENGINEER OF RECORD IS TO VERIFY THE ADEQUACY OF THE STRUCTURE FOR THE IMPOSED LOADS.



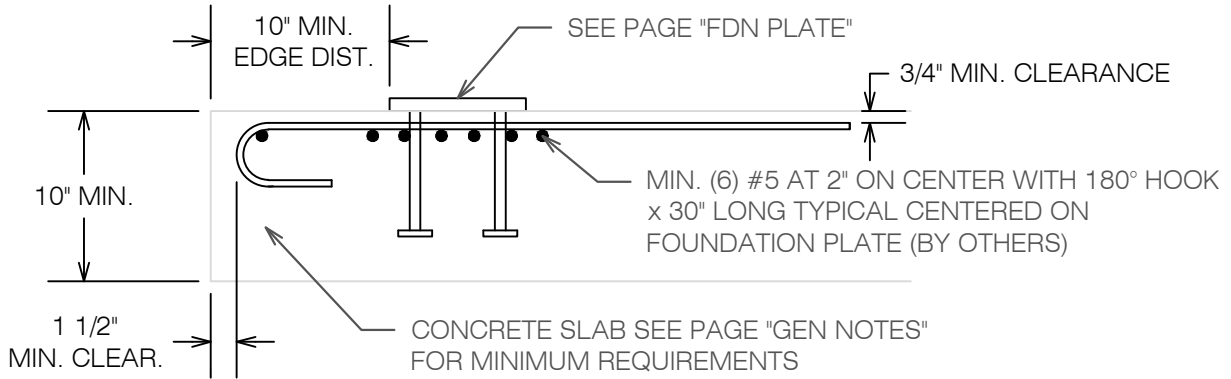
OPM-0198 STERIS VISION AND RELIANCE WASHERS/DISINFECTORS ELEVATED SLAB DETAIL FOR MODELS MOUNTED TO THE TOP OF THE SLAB



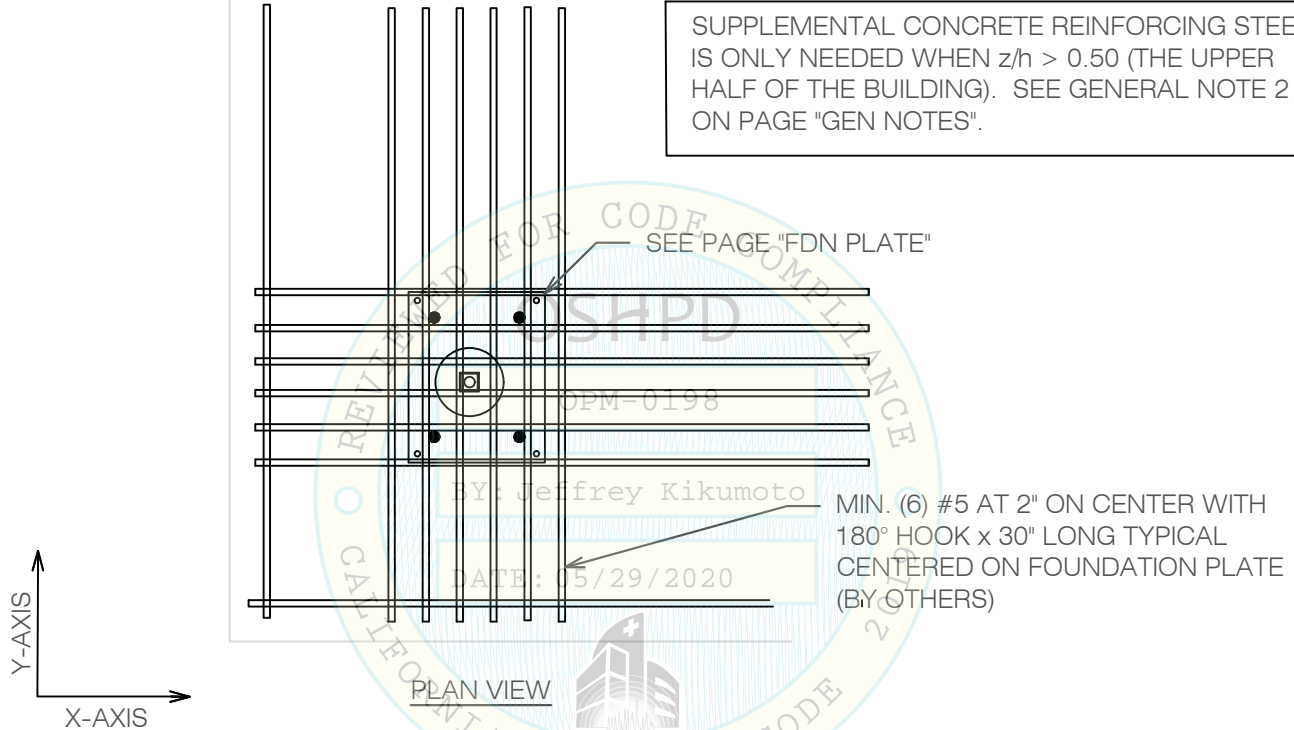
A Division of Tomarco Contractor Specialties International Seismic Application Technology
 1020 Crews Road, Suite Q, Matthews, NC 28105
 704-841-4080 www.isatsb.com



DRAWN BY: WVJ	DATE: 05/18/15
REVISED BY: WVJ	DATE: 05/29/20
REV NO: 4	
SCALE N.T.S.	PAGE ELEV SLAB



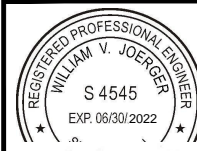
SUPPLEMENTAL CONCRETE REINFORCING STEEL IS ONLY NEEDED WHEN $z/h > 0.50$ (THE UPPER HALF OF THE BUILDING). SEE GENERAL NOTE 2 ON PAGE "GEN NOTES".



OPM-0198 STERIS VISION AND RELIANCE WASHERS/DISINFECTORS
ADDITIONAL CONCRETE REINFORCEMENT AT FOUNDATION PLATE DETAILS

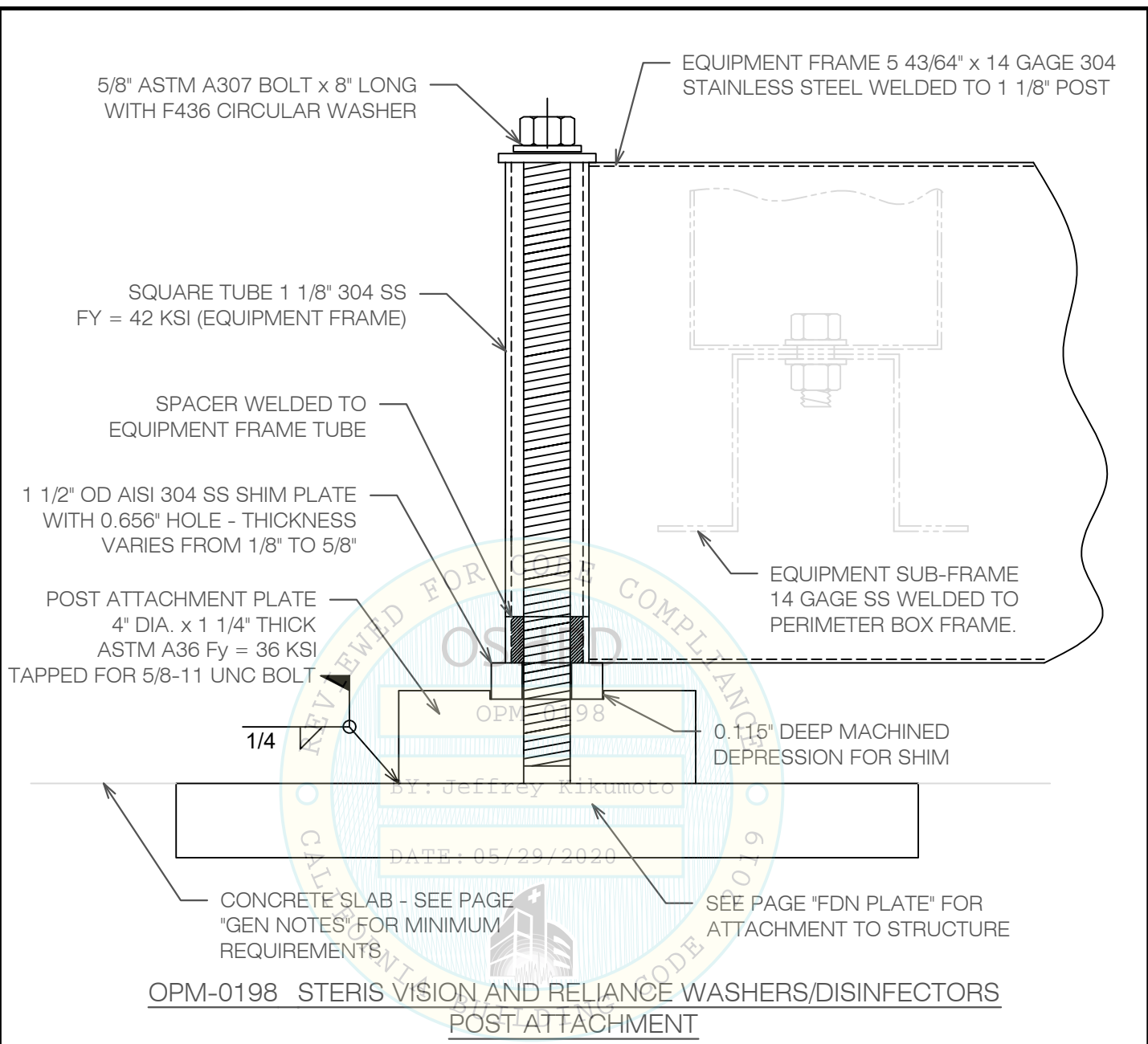


**A Division of Tomarco Contractor Specialties
 International Seismic Application Technology**
 1020 Crews Road, Suite Q, Matthews, NC 28105
 704-841-4080 www.isatsb.com



DRAWN BY: WVJ
DATE: 05/06/15
REVISED BY: WVJ
DATE: 05/29/20
REV NO: 4

SCALE **PAGE**
 N.T.S. CONC REINF



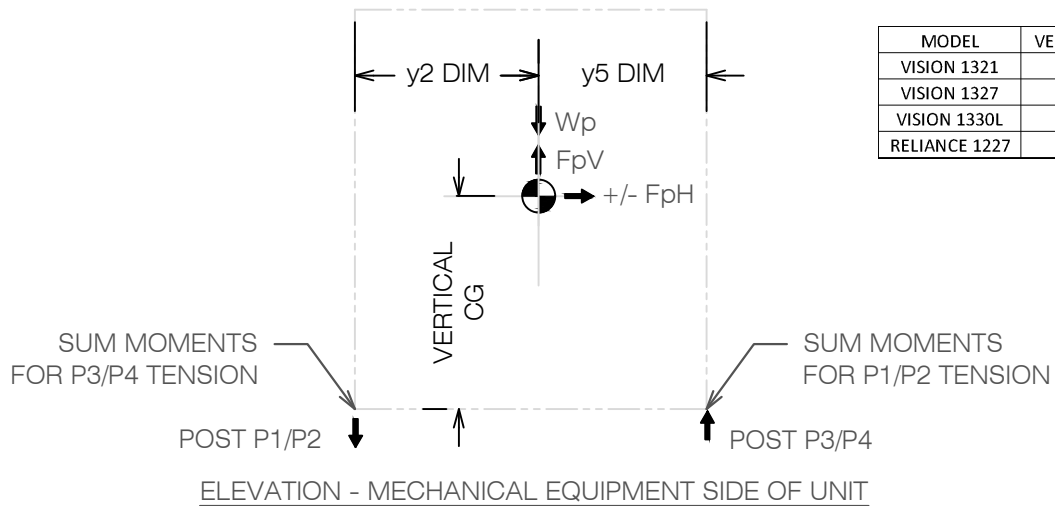
**OPM-0198 STERIS VISION AND RELIANCE WASHERS/DISINFECTORS
POST ATTACHMENT**



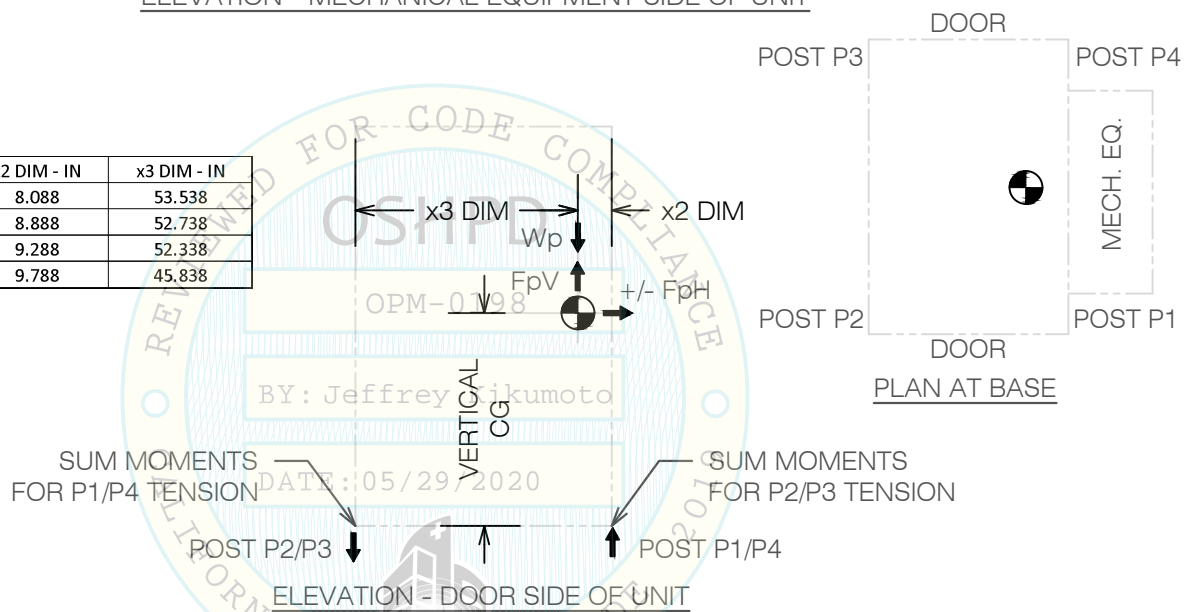
**A Division of Tomarco Contractor Specialties
International Seismic Application Technology**
1020 Crews Road, Suite Q, Matthews, NC 28105
704-841-4080 www.isatsb.com

 <i>WVJ 29 May 20</i>	DRAWN BY: WVJ
	DATE: 03/06/15
	REVISD BY: WVJ
	DATE: 05/29/20
	REV NO: 5
SCALE N.T.S.	PAGE POST ATTACH.


MODEL	VERTICAL CG - IN
VISION 1321	51.250
VISION 1327	50.650
VISION 1330L	50.450
RELIANCE 1227	49.150



MODEL	x2 DIM - IN	x3 DIM - IN
VISION 1321	8.088	53.538
VISION 1327	8.888	52.738
VISION 1330L	9.288	52.338
RELIANCE 1227	9.788	45.838

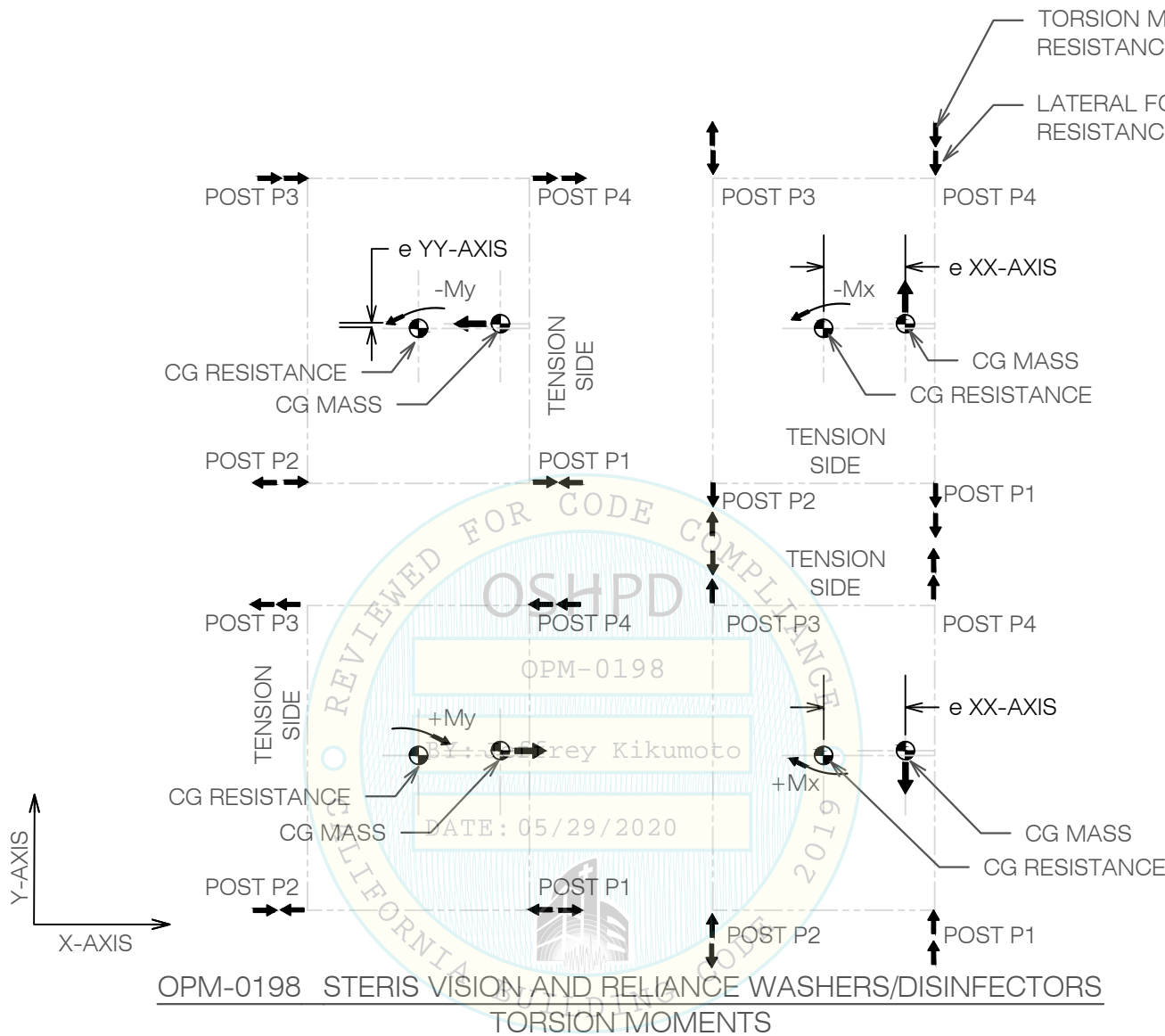


**OPM-0198 STERIS VISION AND RELIANCE WASHERS/DISINFECTORS
OVERTURNING MOMENTS**




**A Division of Tomarco Contractor Specialties
International Seismic Application Technology**
1020 Crews Road, Suite Q, Matthews, NC 28105
704-841-4080 www.isatsb.com


	DRAWN BY: WVJ	
	DATE: 03/06/15	
	REVISED BY: WVJ	
DATE: 05/29/20		
REV NO: 4		
SCALE N.T.S.	PAGE OVERTURNING	



OPM-0198 STERIS VISION AND RELIANCE WASHERS/DISINFECTORS
TORSION MOMENTS

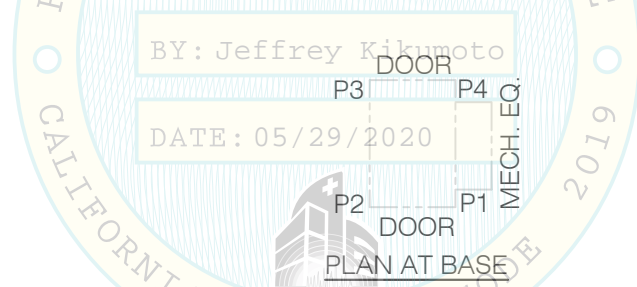


**A Division of Tomarco Contractor Specialties
 International Seismic Application Technology**
 1020 Crews Road, Suite Q, Matthews, NC 28105
 704-841-4080 www.isatsb.com

 <i>WVJ 29 May 20</i>	DRAWN BY: WVJ	
	DATE: 03/06/15	
	REVISD BY: WVJ	
DATE: 05/29/20		
REV NO: 4		
SCALE N.T.S.	PAGE TORSION	

MODEL NUMBER	GRADE TO MID-HT - LBS (FpH MAX. = 1.20)	MID-HT TO TOP FLOOR - LBS (FpH = 1.80 MAX.)
VISION 1321	Tu at P1 = 13,785	Tu at P1 = 24116
	Vu at P1 = 9,544	Vu at P1 = 14315
	Tu at P2 = 18,797	Tu at P2 = 29128
VISION 1327	Vu at P2 = 2,093	Vu at P2 = 3,140
	Tu at P1 = 13,403	Tu at P1 = 21,610
	Vu at P1 = 9,776	Vu at P1 = 13,686
VISION 1330L	Tu at P2 = 18,462	Tu at P2 = 26,669
	Vu at P2 = 2,028	Vu at P2 = 2,840
	Tu at P1 = 13,349	Tu at P1 = 21,579
RELIANCE 1227	Vu at P1 = 9,880	Vu at P1 = 13,832
	Tu at P2 = 18,423	Tu at P2 = 26,653
	Vu at P2 = 1,992	Vu at P2 = 2,788
RELIANCE 1227	Tu at P1 = 11,932	Tu at P1 = 18,925
	Vu at P1 = 7,452	Vu at P1 = 10,433
	Tu at P2 = 15,638	Tu at P2 = 22,632
	Vu at P2 = 1,329	Vu at P2 = 1,861

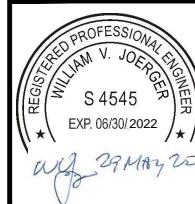
1. Tu AND Vu VALUES INCLUDE AN OVERSTRENGTH FACTOR OF 2.0 IN ACCORDANCE WITH ASCE 7-16 TABLE 13.6-1.
2. Tu VALUES HAVE BEEN DIVIDED BY 0.75 TO ACCOUNT FOR THE CONCRETE ANCHORAGE REDUCTION FROM ACI 318-14 SECTION 17.2.3.4.4.
3. FORCES AT P3 AND P4 DO NOT CONTROL AND ARE NOT LISTED.



OPM-0198 STERIS VISION AND RELIANCE WASHERS/DISINFECTORS
CONCRETE ATTACHMENT FORCES



**A Division of Tomarco Contractor Specialties
International Seismic Application Technology**
1020 Crews Road, Suite Q, Matthews, NC 28105
704-841-4080 www.isatsb.com



DRAWN BY: WVJ DATE: 03/06/15	
REVISED BY: WVJ DATE: 05/29/20 REV NO: 4	
SCALE N.T.S.	PAGE FORCES